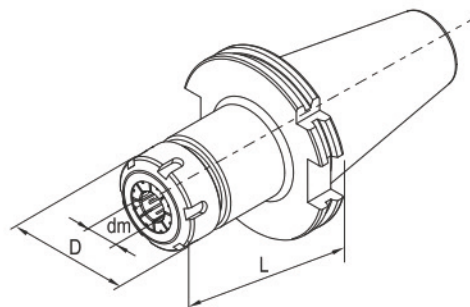
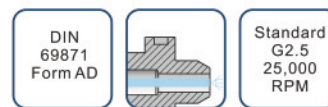


ER COLLET CHUCK

- Radial run-out less than 0.01mm.
- Constructed of alloy steel for long,durable service life.
- For clamping tools with plain shank in collets to DIN6499.
- Supplied with high performance clamping nut.



Order No.	Model	Shank	Size(mm)			Nuts	Screw	For Collets	Wrench
			dm	D	L				
132-04-401	JT40-ER11-70	SK40-AD	0.5-7	19	70	CN11HS	SER11C	ER11	W17D
132-04-402	JT40-ER11-120	SK40-AD	0.5-7	19	120	CN11HS	SER11C	ER11	W17D
132-04-403	JT40-ER16-70	SK40-AD	0.5-10	28	70	CN16HS	SER16C	ER16	W25D
132-04-404	JT40-ER16-120	SK40-AD	0.5-10	28	120	CN16HS	SER16C	ER16	W25D
132-04-405	JT40-ER20-80	SK40-AD	1.0-13	34	80	CN20HS	SER20C	ER20	W30D
132-04-406	JT40-ER20-120	SK40-AD	1.0-13	34	120	CN20HS	SER20C	ER20	W30D
132-04-407	JT40-ER25-80	SK40-AD	1.0-16	42	80	CN25B	SER25C	ER25	YER25B
132-04-408	JT40-ER25-120	SK40-AD	1.0-16	42	120	CN25B	SER25C	ER25	YER25B
132-04-409	JT40-ER32-60	SK40-AD	2.0-20	50	60	CN32B	SER32C	ER32	YER32B
132-04-410	JT40-ER32-120	SK40-AD	2.0-20	50	120	CN32B	SER32C	ER32	YER32B
132-04-411	JT40-ER40-80	SK40-AD	3.0-26	63	80	CN40B	SER40C	ER40	YER40B
132-04-501	JT50-ER16-60	SK50-AD	0.5-10	28	60	CN16HS	SER16C	ER16	W25D
132-04-502	JT50-ER16-120	SK50-AD	0.5-10	28	120	CN16HS	SER16C	ER16	W25D
132-04-503	JT50-ER20-70	SK50-AD	1.0-13	34	70	CN20HS	SER20C	ER20	W30D
132-04-504	JT50-ER20-120	SK50-AD	1.0-13	34	120	CN20HS	SER20C	ER20	W30D
132-04-505	JT50-ER25-70	SK50-AD	1.0-16	42	70	CN25B	SER25C	ER25	YER25B
132-04-506	JT50-ER25-120	SK50-AD	1.0-16	42	120	CN25B	SER25C	ER25	YER25B
132-04-507	JT50-ER32-90	SK50-AD	2.0-20	50	90	CN32B	SER32C	ER32	YER32B
132-04-508	JT50-ER32-120	SK50-AD	2.0-20	50	120	CN32B	SER32C	ER32	YER32B
132-04-509	JT50-ER40-100	SK50-AD	3.0-26	50	100	CN40B	SER40C	ER40	YER40B



ER COLLET CHUCK & COLLET SET

- Each set including 1pc of SK40-AD ER collet chuck and 9pc of ER collets,
- Equipped with ER collet nut wrench and pack in strong aluminium box.
- Long working life time du to system radial run-out less than 0.01mm.

Order No.	Shank Model	Collet	Wrench
132-04-S41	JT40-ER16-70	ER16: dia.2-3-4-5-6-7-8-9-10mm	W25D
132-04-S42	JT40-ER25-80	ER25: dia.3-4-5-6-8-10-12-14-16mm	YER25B
132-04-S43	JT40-ER32-60	ER32: dia.4-6-8-10-12-14-16-18-20mm	YER32B